

GHE3D-90 3-Way Adjustable Concealed Hinge

Door width (max 600) · Door height (max 1500) · Door thickness (min 23)
Door weight (max 12kg with 2 pcs) or (max 16kg with 3 pcs)

Features

- Small bore depth, easy to cut out the door and frame
- 3-way adjustment function allows vertical, horizontal, and depth adjustment after hinge installation
- Hinge can be split into the door side and the frame side
- Unique seven link structure helps to prevent door from sagging
- Custom colours available on request

Parts Included

- Countersunk SUS head tapping screw 4×20 (4 pcs / hinge)
- Hex key 2

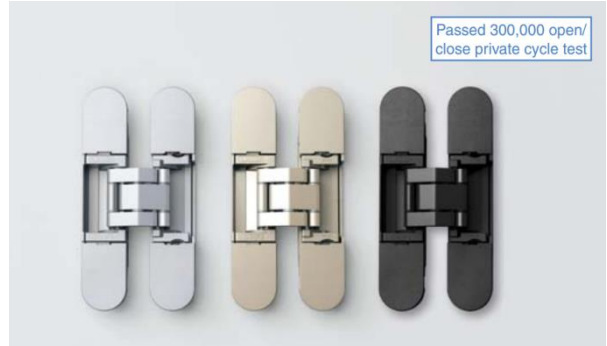
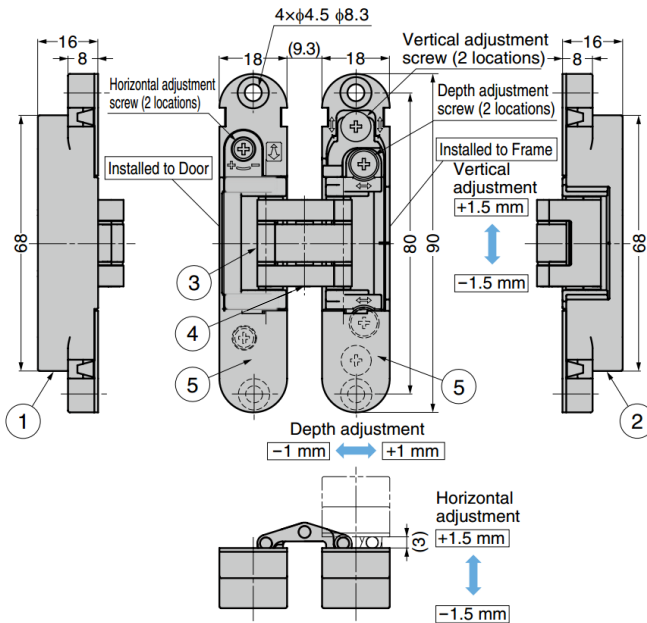
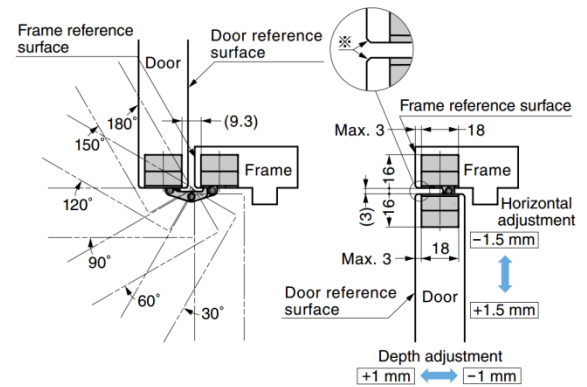


Figure below shows the state with the upper screw covers removed.

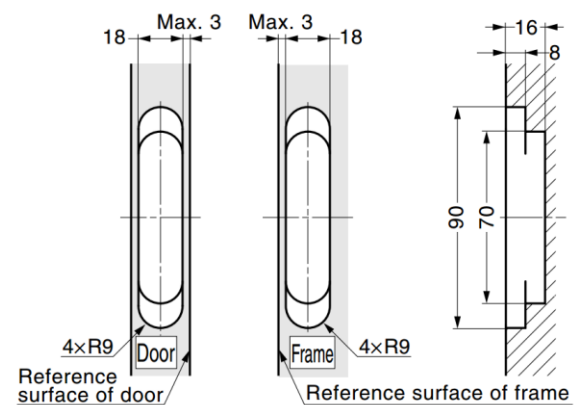


Locus Chart

Please process the part (corner of door/frame) of ※ marked on the drawing to C1 or more (or R1 or more).



Cut Out Dimensions



No.	Part Name	Material	Finish		
			DC	DN	BL
①	Body	Zinc Alloy (ZDC)	Satin Chrome	Dull Nickel	Black Enamel Finish
②	Base Frame				
③	Arm				
④	Shaft	Stainless Steel	-	-	-
⑤	Cover (2 pairs)	ABS	Satin Chrome	Dull Nickel	Black

Part No.	Colour	Door Width	Door Height	Door Thickness	Opening Angle	Door Weight
GHE3D-90DC	Silver	Max. 600	Max. 1500	Min. 23	180°	Max. 12 kg / 2 pcs Max. 16 kg / 3 pcs
GHE3D-90DN	Champagne Gold					
GHE3D-90BL	Black					

Additional Information

Installation & Adjustment Procedure Using Temporary Holding Feature

- By using the temporary holding feature, you can easily install the door with one person:
 1. Remove screw covers and vertical adjustment screws to split the hinge into the hinge body and base frame as shown in Figure A.
 2. Secure the hinge body (the side with manufacturer logo) to the bored hole of the door and the base frame to the bored hole of the frame with mounting screws respectively.
 3. Push the hinge body horizontally into the base frame as shown in Figure B.
 4. The temporary holding feature holds the door in the frame even if you loosen your hands after pushing it in.
 5. Replace and temporarily tighten the vertical adjustment screws that were removed in Step 1.
 6. Adjust the door positions in order one by one.
 7. Loosen the vertical adjustment screws by one turn, and adjust the vertical position of the door.
 8. After adjusting the vertical position, tighten the vertical adjustment screws.
 9. Loosen the depth adjustment screws by one turn, and adjust the depth position of the door.
 10. After adjusting the depth position, tighten the depth adjustment screws.
 11. Turn the horizontal adjustment screws to adjust the horizontal position of the door. To do this, turn the left and right adjustment screws little by little, respectively. Turning them by force may cause failure or damage.
 12. Finally, replace the screw covers to complete.

Figure A: Exploded View

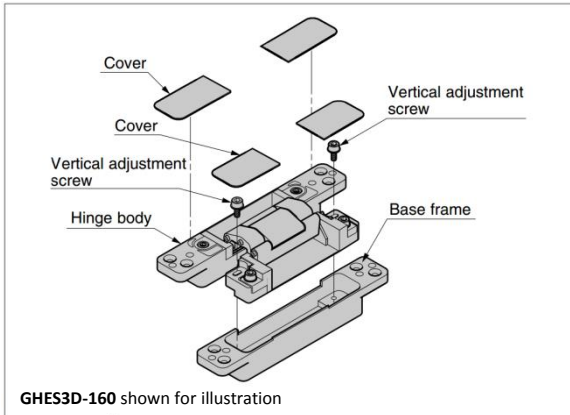


Figure B: Installation

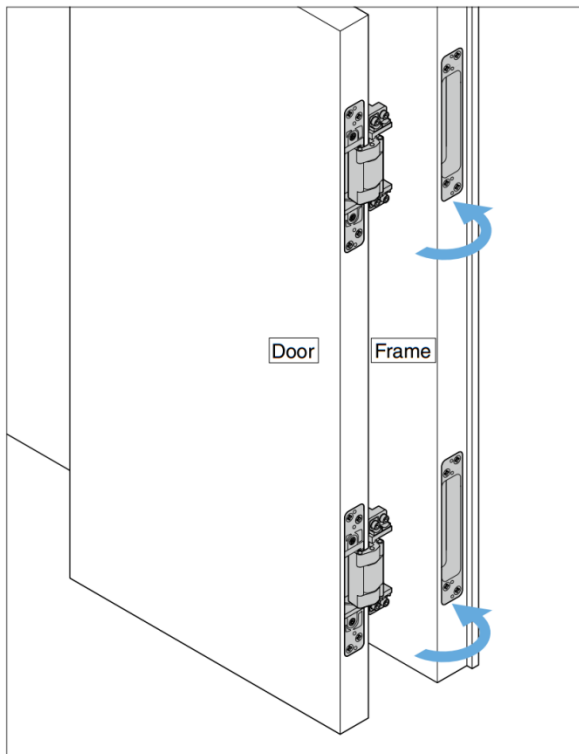
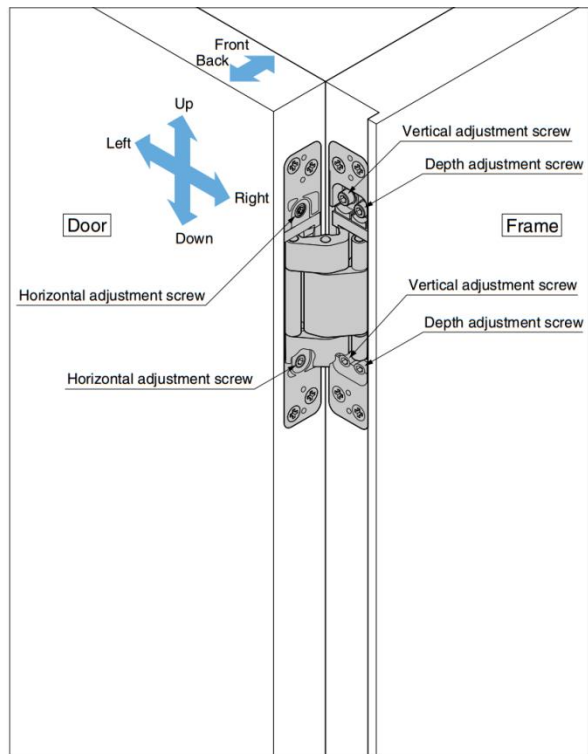


Figure C: Adjustment Screws



GHES3D-G90BKT Glass Door Bracket

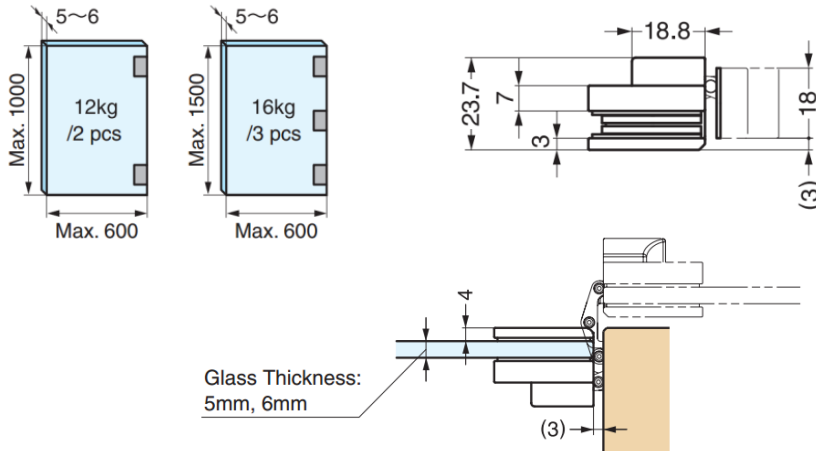
Features

- Glass door bracket for **GHES3D-90** series
- Screw covers match the bracket with the finish

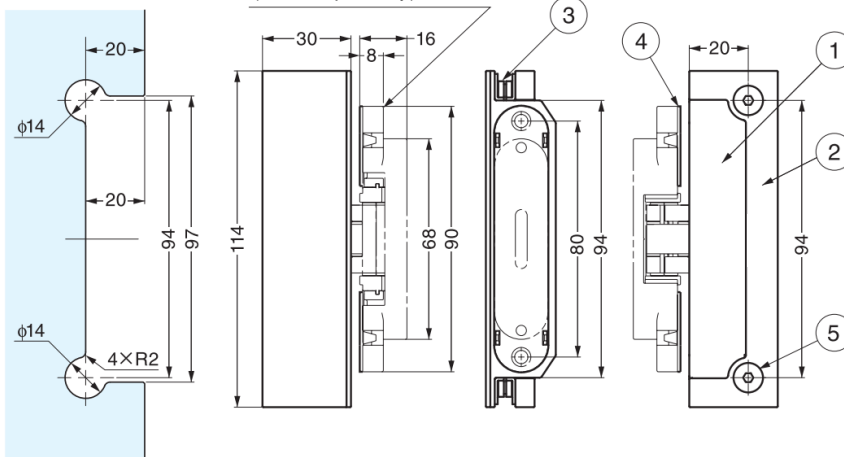
Parts Included

- Hexagon socket countersunk head screw M5 x 12
- Countersunk head screw M4x12
- Screw covers
- Hex key size 3

Door Dimensions and No. of Hinges



Concealed Hinge GHES3D-90 (Sold Separately)



No.	Part Name	Material	Finish		
			CR	GP	BL
①	Body	Zinc Alloy (ZDC)	Chrome	24K Gold plating	Black Enamel Finish
②	Back Plate				
③	Gasket	Chloroprene Rubber (CR)	—	—	—
④	Screw Cover	ABS			Black
⑤	Hexagon Socket Countersunk Head Screw M5 x 12	Steel	Chrome	24K Gold plating	Black Enamel Finish

Part No.	Colour
GHES3D-G90BKT-CR	Silver
GHES3D-G90BKT-GP	Gold
GHES3D-G90BKT-BL	Black